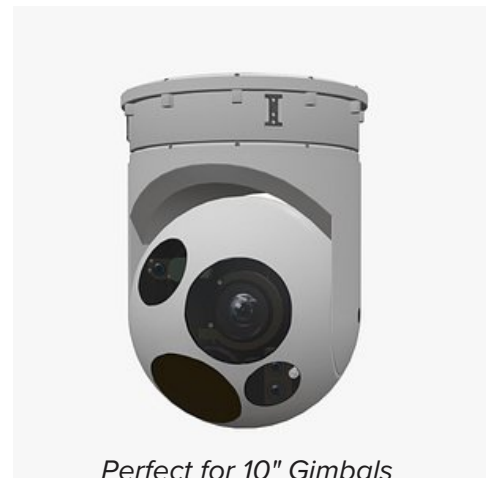
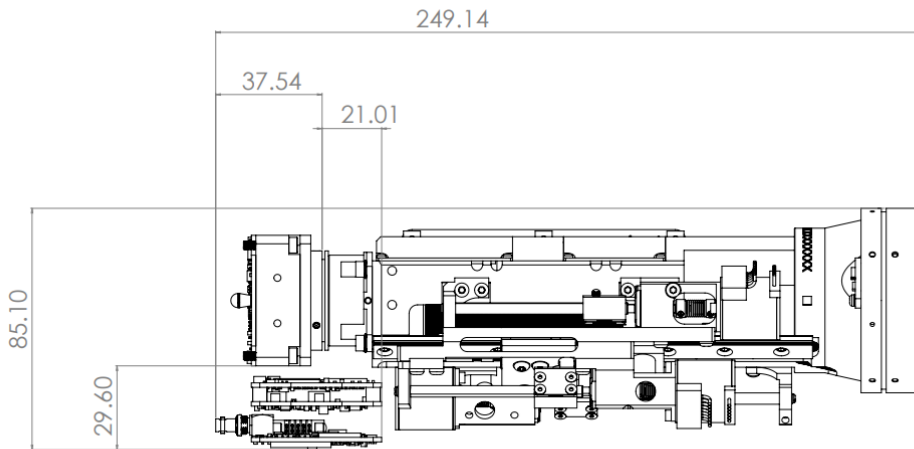


SWIR Block 250

HD Vis-SWIR camera coupled to a x10 motorised zoom lens for 10" gimbals
25-250mm • 1280 x 1024 • x2 digital zoom



Perfect for 10" Gimbals

The ultra-compact SWaP optimised core combines a 1280x1024 Vis-SWIR sensor coupled to a x10 motorised zoom 25-250mm NIR-SWIR lens. The full system is rugged, designed to MilSpec and ideal for integration into gimbals / turrets.

Key Features and Benefits

- **1280 x 1024, 10µm pitch Vis- SWIR technology**
Enables highest resolution imaging from 0.7µm to 1.7µm
- **x10 optical zoom 25-250mm SWIR optimised lens with x2 digital zoom**
Offering mid-range SWIR observation up to approx 5Km
- **25mm WFOV (f/4.0) of 28.7 degrees and 250mm NFOV (f/5.5) of 2.9 degrees**
Offering motorised continuous zoom capabilities
- **Full lens and camera control through RS422**
Simple cross-platform connectivity
- **28e- electrons readout noise**
Enables highest VIS-SWIR detection limit
- **Choice of HD-SDI, MIPI CSI-2 or CameraLink interface**
Aligning to your technical requirements
- **On-board Automated Light Control (ALC) and Intelligent 3 point real-time NUC**
Enables clear and highest quality video in all light conditions
- **Rugged and compact – designed to IP67, MIL-STD-810G compliant**
L x W x H - 85 x 85 x 250mm and weight of 1Kg

Ordering Information

SWIR Block - SDI	RPL-SWIR-BLK250-SDI
SWIR Block - MIPI	RPL-SWIR-BLK250-MIPI
SWIR Block - CameraLink	RPL-SWIR-BLK250-CL